



ECP
中美能源合作项目
US-CHINA Energy Cooperation Program

What We've Accomplished During Our First Year

ECP – Who & What We Are

Established September 21, 2009, ECP is a:

- Commercial sector initiated and financed NGO;
- Public-private partnership focused on the development and commercialization of clean energy and energy efficiency solutions in the U.S. and China through a unique partnership and official recognition by the US and Chinese governments;

Our Mission:

- Engage in sector-specific market development and promotion in the clean energy and energy efficiency space;
- Act as a business focused deployment force to identify and create sustainable commercial solutions within the framework of US-China bilateral government agreements / commitments on the environment and energy.

ECP – Who & What We Are

How We Work:

ECP is a platform for companies to work together in partnership with the two governments to pursue sector-based market opportunities, address trade impediments, advance sustainable development.

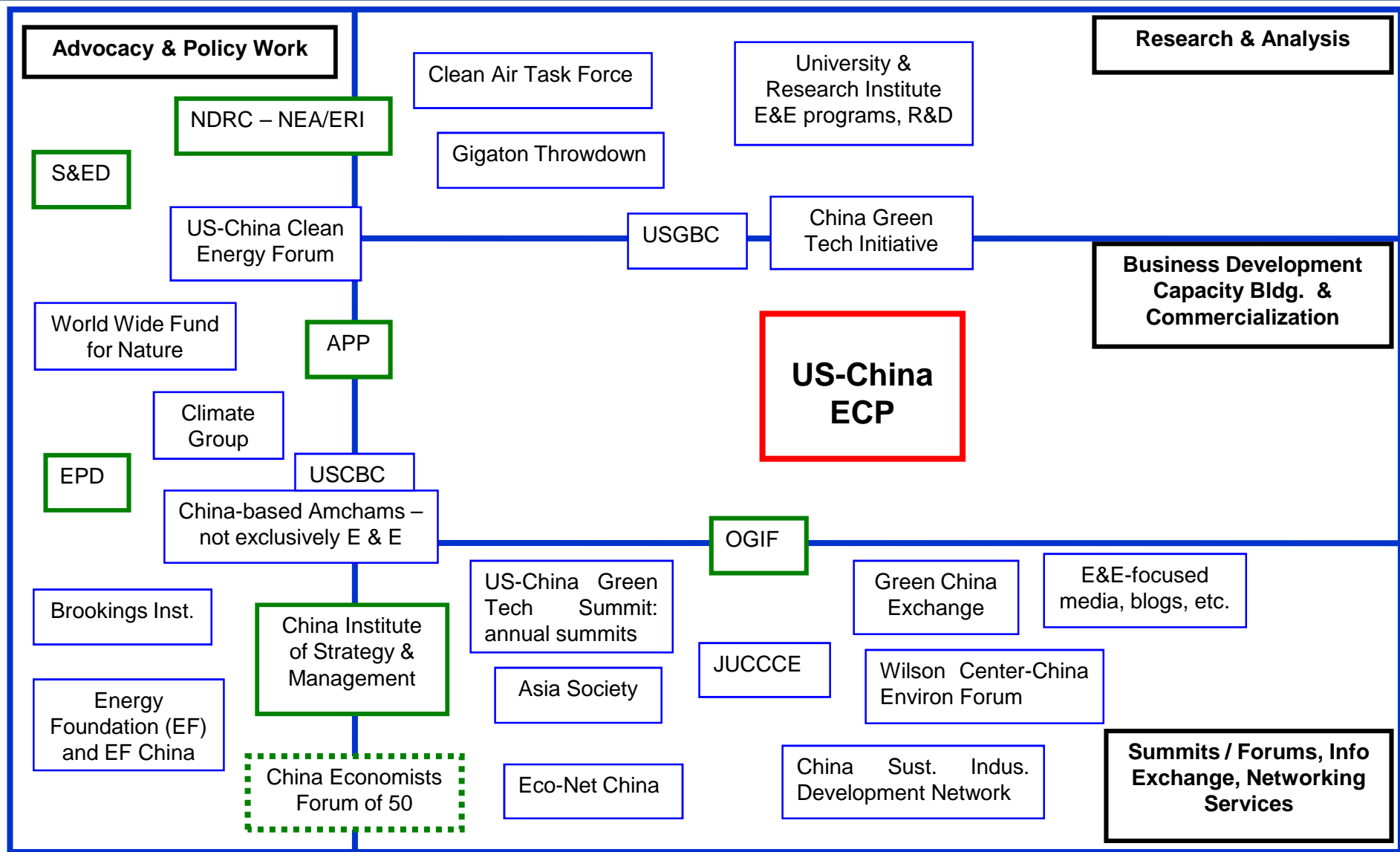
Therefore, our projects

- Align with the commitments / priorities of both the US and Chinese governments,
- Ensure successful development of sustainable commercial / business solutions.

ECP Founding Member Companies: AECOM (Asia); AES; Boeing, Inc.; Caterpillar; Celanese China; CISCO Systems (China); Corning; Covanta Energy; Cummins; Dow Chemical ; First Solar; GE; Honeywell; IBM; Ingersoll Rand; Intel; LP Amina; Oshkosh; Peabody; Rockwell Automation; Tang Energy; Timken; United Solar Ovonic; UTC

ECP General Member Companies: Albemarle; Applied Materials; Capstone Turbine; DuPont; Epic Clean Technology Corp.; Microsoft; Owens Corning; Solar ETC; Solatube; Solutia; UPC Renewables; Vanderweil

US-China Energy Cooperation Program (ECP) / Our First Year



ECP in the Clean Energy & Energy Efficient Landscape

US-China Energy Cooperation Program (ECP) / Our First Year

Working Groups	Co-Chair(s)	Members
Clean Transportation	Boeing, Corning	AECOM, Boeing; Caterpillar; Corning; Cummins; DuPont; Honeywell/UOP; UTC
Energy Efficient Buildings & Design	Oshkosh; UTC; United Solar	AECOM; Applied Materials; CISCO Systems; Dow Chemical; DuPont; FirstSolar; GE; Honeywell; Ingersoll Rand; Intel; Microsoft; Oshkosh; Owens Corning; Solatube; United Solar; UTC
Decentralized Power Gen. & CCHP	Caterpillar; GE	Capstone Turbine; Caterpillar; GE; Ingersoll Rand; UTC; Vanderweil
Non-Intermittent Renewables	AECOM; Covanta Energy; Ingersoll Rand	AECOM; AES; Boeing; Caterpillar; Covanta Energy; Dow; GE; Honeywell; Ingersoll Rand; Rockwell Automation; Solar ETC; UPC; UTC
Wind Power	First Solar	AECOM; AES; Corning; Dow; GE; Honeywell; Ingersoll Rand; Rockwell Automation; Tang Energy; Timken UPC, UTC
Solar Power	Tang Energy; Timken	AECOM; AES; Applied Materials; Corning; Dow Chemical; DuPont; FirstSolar; Honeywell; Solatube; Solutia; United Solar; UPC
Energy Financing & Investment	TBD	AECOM; AES; Dow Chemical; GE; Honeywell; Ingersoll Rand; LP Amina; Peabody Energy; United Solar; UPC; UTC
Clean Coal	LP Amina; Peabody Energy	AECOM; AES; Albemarle; Caterpillar; Celanese; EPIC Clean Technology; GE; LPAmina; Peabody Energy
Industrial Energy Efficiency	Dow Chemical; Honeywell	AECOM; Albemarle; Celanese; Caterpillar; Dow Chemical; GE; Honeywell; Ingersoll Rand; Intel; Rockwell Automation; Timken, UTC
Smart Grid	IBM; Intel	AECOM; AES; Boeing; CISCO Systems; Corning; GE; Honeywell; IBM; Intel; Rockwell Automation; UPC

US-China Energy Cooperation Program (ECP) / Our First Year

Bi-lateral Government Partnership Formation and Political Positioning

- MOU between USTDA and MOFCOM / @ JCCT in Oct 2009
- MOU between USDOE, USDOC, USTDA and NEA, MOFCOM / in Nov 2009
- Joint Statement between Presidents Obama and Hu / Nov. 2009
- Bi-lateral Energy Sector Events: Invited / Participated in May 2010 US-China Fora on RE, EE and biofuels organized by DoE, NEA and NDRC and follow-on September 2010 DoE, USDA & National Labs biofuels mission;
- USTDA grant signings of four ECP projects @ SnED in May 2010
- Secretary Locke Energy Trade Mission & ECP Special Event and related activities and meetings



Some USTDA funded Programs

<u>Working Group</u>	<u>Project Description</u>
DE&CHP WG	Two CHP development projects – industrial and commercial
SGWG	Smart meter project
CTWG	Aviation biofuel industry development project
	Diesel retro-fit project
EEBD WG	Training mission of 24 Chinese mayors to US
	Delegation of China Green Building Council & MOHURD to the US
SGWG, WPWG, & SPWG	Delegation of NEA, State Grid, RIs and power companies to US to study grid-RE interconnectivity and operability to the Grid
WPWG	Technical symposium on wind reliability
EEBD WG	Technical symposium on green buildings
NIREWG	Technical symposium on ORC and low temperature heat to power
CTWG	Technical symposium on aviation biofuels

US-China Energy Cooperation Program (ECP) / Our First Year

In the Pipeline & Under Exploration:

<u>Working Group</u>	<u>Project</u>
SGWG	Smart Meter 2 project Electric Vehicle charging system project
EEBD WG	Development of Chinese Solar Decathlon Project Qingdao Eco-city project
EEBD & SG WGs &DE&CHP WG	Eco-city opportunities in: Tianjin / TAEA and Suzhou, Jiangsu
CCWG	Coal to Chemicals opportunities Clean Coal full value-chain project opportunity Delegation of NEA, MEP, Chinese energy cos to US re: coal emission control and efficiency
DE&CHP WG	Delegation of NEA, BHJ, State Grid and Chinese companies to US
Seven WGs	Stage nine technical symposia on clean energy, standards, technology



ECP
中美能源合作项目
US-CHINA Energy Cooperation Program

Contact:

Ms Mei Zheng, Deputy Executive Director

mzheng@amchamchina.org

www.uschinaecp.org
